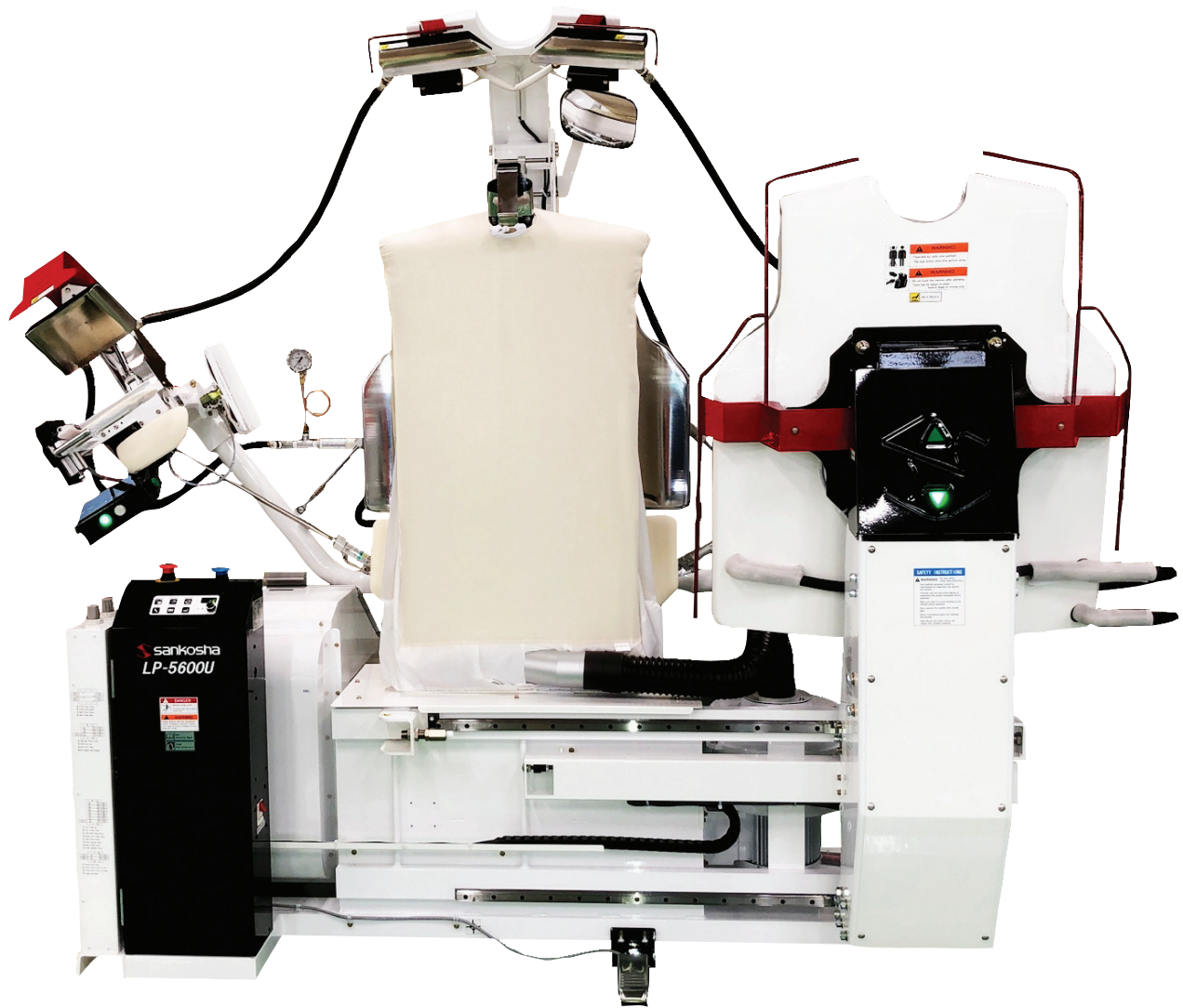




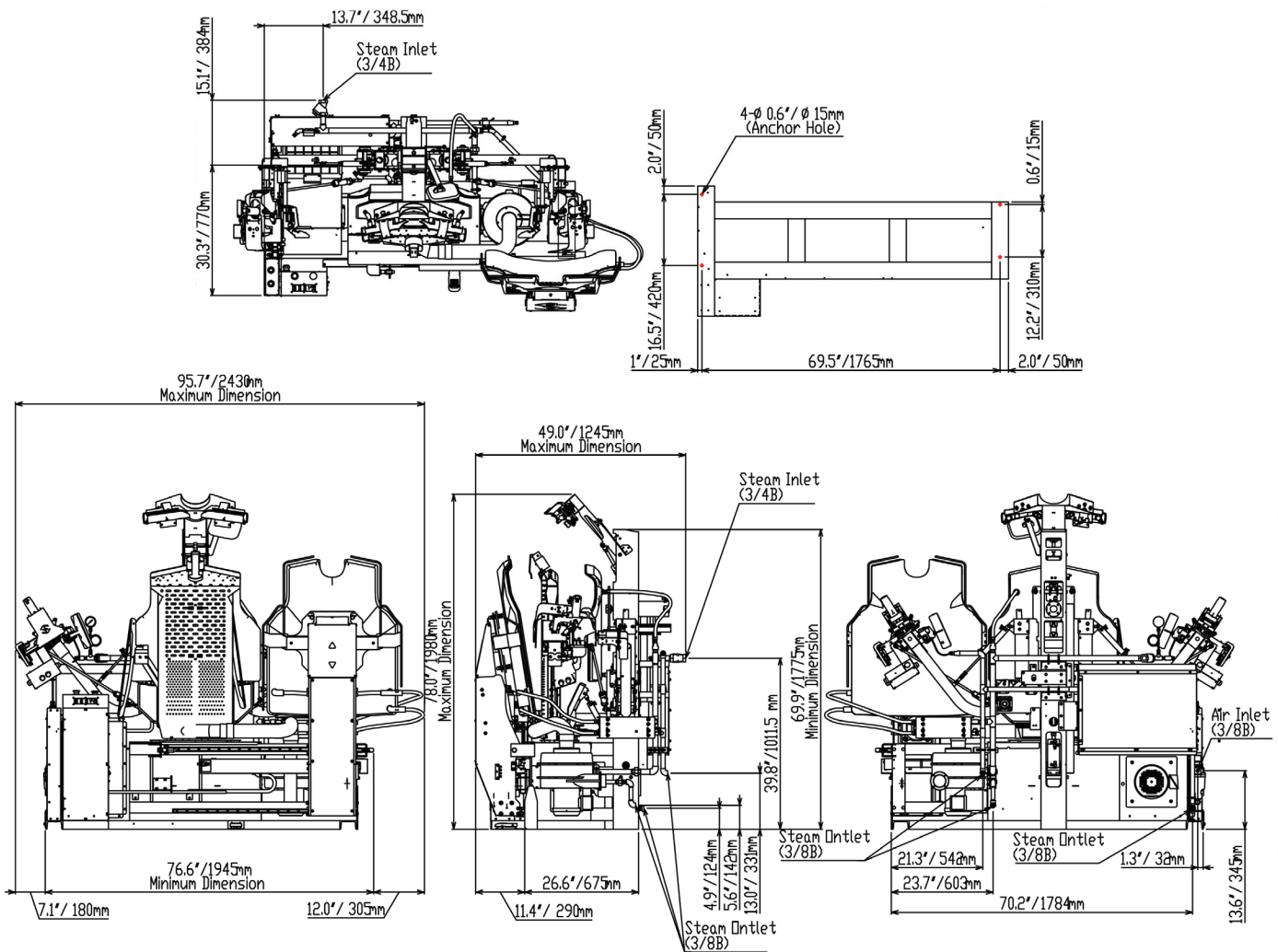
High-Speed Single Buck Shirt Press

LP-5600U



Superior Quality

SPECIFICATIONS



High-Speed Single Buck Shirt Press

Model	LP-5600U
Power	220V 3ph 10A
Air Pressure	0.6 MPa
Air Consumption	53 litre / cycle
Air Inlet	3/8B
Steam Pressure	90 psi minimum
Steam Consumption	3 BHP
Steam Pipe	Inlet: 3/4B, Outlet: 1/2B x 3
Noise Level	A Level: 75.4dB / C Level: 82.5dB
Weight	1554.5lb / 705kg
Dimension (W x D x H)	98.4" x 49.2" x 79.9" (inch) 2500 x 1250 x 2030 (mm)

